

Terminal Block, Header

STB1002H-5.08-XX

Description

The STB1002H-5.08-XX is a terminal block header with a 5.08 mm pitch. The connector is available up from 2 to 24 poles and optionally in Vertical orientation.



Typical applications

- Wire to Board
- Board to Wire



Features

Mechanical Properties	Description
Connector Type	Header
Orientation	Horizontal
Dimensions	(Poles*5.08) x 8.6 x 12 mm ± 0.2
Operating Temperature Range	-40°C~+105°C
Max temperature soldering	+250°C, for 5 sec.
Pitch	5.08 mm
Poles	2-24 Poles
Insulator body	PA66, UL94V-0
Pin header	Copper alloy, Sn plated

Terminal Block, Header

STB1002H-5.08-XX

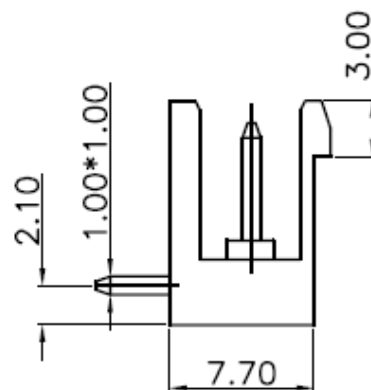
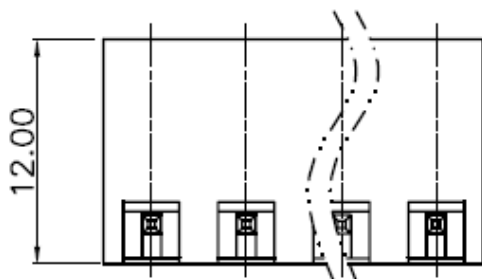
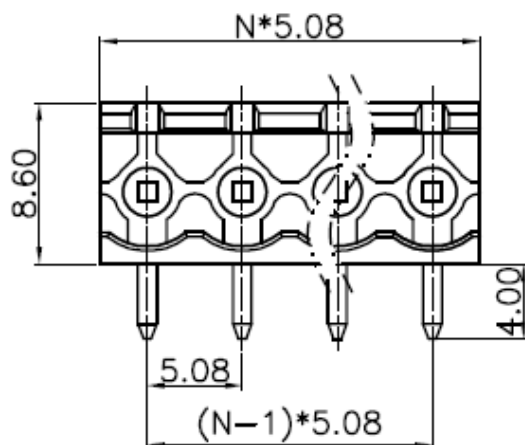
Electrical Properties

Description

Standard	UL	IEC
Rated Voltage	300V	320V
Rated Current	15A	20A
Contact Resistance	20mΩ (Max.)	
Insulation Resistance	500MΩ / 500V	
Withstanding Voltage	AC 1600V / 1Min.	

Dimensions

*unit: mm, N= number of poles

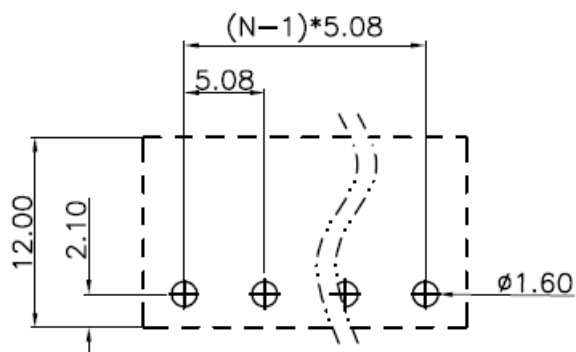


Terminal Block, Header

STB1002H-5.08-XX

PCB Footprint

*unit: mm , N = number of poles



Pole	2	3	4	5	6	7	8	9	10	11	12	13
Length	10,2	15,2	20,3	25,4	30,5	35,6	40,6	45,7	50,8	55,9	61	66
Pitch	5,1	10,2	15,2	20,3	25,4	30,5	35,6	40,6	45,7	50,8	55,9	61

Pole	14	15	16	17	18	19	20	21	22	23	24
Length	71,1	76,2	81,3	86,4	91,4	96,5	101,6	106,7	111,8	116,8	121,9
Pitch	66	71,1	76,2	81,3	86,4	91,4	96,5	101,6	106,7	111,8	116,8

Part number

STB1002X-XXX-XX

STB1002	Style of connector
H	Horizontal
5,08	Pitch
XX	Poles
	2,3,4,5,6,7,8, 9,10, 11,12, 13,14,15,16,17,18,19,20, 21,22,23,24

Ordering information

Ordering can be done via www.summit-electronics.com or via info@summit-electronics.com. Please contact us for more information. Customisation of the product is available on request.

Terminal Block, Header

STB1002H-5.08-XX



Technical support

For all product questions please contact us via info@summit-electronics.com

Document revision

Rev	Date	changes
V01.00	06-04-2023	First issue of document